

SC4000

Industrial Controller

Highlights

SC4000 is an industrial controller designed for high speed data collection in an ID-NET™ network of Datalogic Automation's 1D/2D code readers. SC4000 offers high communication performance and connectivity to the most common fieldbus systems by means of a complete range of optional modules.

• PERFORMANCE

SC4000 data concentrator offers high communication performance, excellent connectivity and advanced software tools for monitoring and control of data collection networks. Up to 31 readers can be connected to satisfy the most demanding applications. Through SC4000, a multi-station reading system can be realized in a very simple way. The SC4000 unit collects data, monitors the status of the ID-NET™ network and provides statistics.

• CONNECTIVITY

A large number of communication interfaces are provided to satisfy all the most common demands. Three standard serial interfaces, always available, can be combined with a complete range of optional modules providing connectivity to standard Ethernet TCP/IP network or to the most common fieldbus systems.

• EASE OF MAINTENANCE

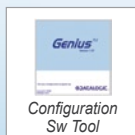
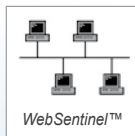
SC4000 allows complete monitoring of the network status, immediately providing useful information about performance and malfunctioning to users as well as to Datalogic WebSentinel™, the new surveillance software solution for the total remote control and monitoring of the readers. Basic diagnostic and statistic information is directly available on the backlit 4-lines display while intuitive LEDs provide indications about the status of the device as well as of the entire network. When quick and reliable replacement is needed, SC4000 takes advantage of the embedded Backup module. This memory unit simplifies Backup and Restore procedures while granting secure and rapid replacement of any code reader in the network.

• EASE OF SETUP

SC4000 is easily programmed through Genius™, the multi-language SW configuration that helps to automate and speed up the complete network configuration and calibration.

• INDUSTRIAL FEATURES

SC4000 features IP65 (NEMA 4) protection class and an operating temperature up to +50 °C (+122 °F).



Features

- Industrial controller for high speed data collection from up to 31 reading stations
- ID-NET™ interface for data collection network
- Open architecture allows comfortable connectivity to Ethernet TCP/IP, Profibus, DeviceNet, Ethernet/IP and other common networks
- Complete network monitoring, statistics and diagnostics through WebSentinel™ software
- Multi-language Display and Keypad for easy network monitoring and diagnostics
- Embedded Backup and Restore feature to minimize plant downtime
- Power, Communication and I/O LED indicators and convenient Power on/off switch

- Multi-language Genius™ SW tool allows rapid network configuration
- Flexible mounting and simplified wiring to speed up the installation
- IP65 (NEMA 4) rated industrial design

Applications

- Automated Warehousing
- Work-in-progress Control
- Product Traceability and Quality Control

SC4000

Specifications

Applications

Models

P/N	Description
935201000	SC4000-1000 ID-NET CONTROLLER STD

Accessories

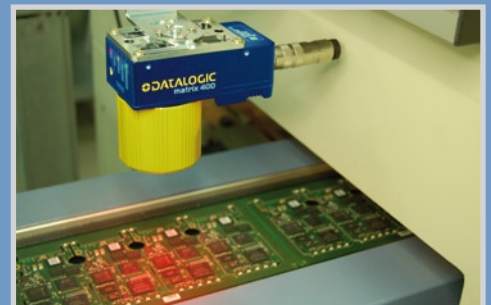
P/N	Description
93ACC1851	BM200 ETHERNET TCP/IP MODULE
93ACC1852	BM210 ETHERNET TCP/IP IP65 MODULE
93ACC1810	BM300 PROFIBUS MODULE
93ACC1811	BM310 PROFIBUS IP65 MODULE
93ACC1814	BM400 DEVICENET MODULE
93ACC1812	BM500 ETHERNET/IP MODULE
93ACC1813	BM510 ETHERNET/IP IP65 MODULE
93ACC1840	BM520 ETHERNET/IP IP54 MODULE
93ACC1815	BM600 CAN OPEN MODULE
93ACC1816	BM700 PROFINET MODULE
93ACC1845	BM1100 CC-LINK MODULE
93ACC1848	BM1200 MODBUS TCP MODULE
93ACC1849	BM1210 MODBUS TCP IP65 MODULE
93ACC1821	BA100 DIN RAIL ADAPTERS
93ACC1822	BA200 BOSCH ADAPTERS
93ACC1847	BA900 TWO CABLE GLANDS PANEL

Technical Data

Dimensions (L x W x H):	193 x 180 x 71 mm (7.60 x 7.09 x 2.79 i.n.)
Weight:	960 g. (33.86 oz.)
Power Supply:	10 to 30 VDC
Power Consumption:	5 W max
Operating Temperature:	0 to 50 °C (32 to 122 °F)
Storage Temperature:	-20 to 70 °C (-4 to 158 °F)
Humidity:	90% non condensing
Protection Class:	IP65
Shock Resistance:	EN 60068-2-27 30G; 11ms; 3 shocks on each axis
Vibration Resistance:	EN 60068-2-6 1.5mm; 10 to 55 Hz; 2 hours on each axis
Display & Keypad:	20 x 4 characters & 3 keys
Diagnostic Leds:	Power On/Polarity Error, Trigger, IN2, OUT1, OUT2, Ready, Host Interface 1, Host Interface 2, ID-NET, OUT3
Communication Interfaces:	Auxiliary: RS232 up to 115.2 Kbit/s Host Interface 1: RS232/RS485 up to 115.2 Kbit/s Host Interface 2: RS232/RS485 up to 115.2 Kbit/s ID-NET™ port up to 1 Mbps Optional Host Interface modules
Communication Protocol:	Datalogic Application Driver (DAD Driver)
Handshaking:	Message fragmentation and flow control
Address Setting:	HW Switches, Genius™
Exchange Memory For I/O Data:	Up to 128 bytes
Digital Inputs:	Two SW programmable, optocoupled and polarity insensitive
Digital Outputs:	Three SW programmable optocoupled
Device Programming:	Windows™ based SW (Genius™) via Serial or Ethernet link Serial Host Mode Programming sequences
Compatible devices:	DS2100N, DS2400N, DS4800, MATRIX 200™, MATRIX 400™



Automated Warehousing

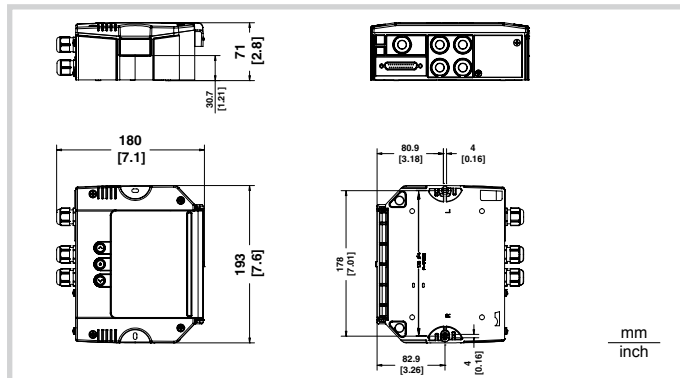


Work-in-progress



Product Traceability

SC4000 INDUSTRIAL CONTROLLER DIMENSIONS



HOST INTERFACE MODULE



Product and Company names and logos referenced may be either trademarks or registered trademarks of their respective companies. We reserve the right to make modifications and improvements.

December 2008



For more information and software downloads see: www.automation.datalogic.com/SC4000

DATALOGIC™

DATALOGIC AUTOMATION